

INTECONT® Satus, Indicator for Beltscales



- Clear text operator guidance on back lighting LCD display
- Stainless steel housing – at a high protection class
- Table-top or wall mounting
- Various fieldbuses
- Ethernet interface, can also be used for configuration
- All components can be exchanged without recalibration

Application

The indicator INTECONT Satus is designed for applications using stand-alone belt weigher MULTIBELT® with on-site electronics.

By focusing primarily on the necessities the INTECONT Satus represents a very attractive, simple and modern device on the market.

Equipment and functionality

The indicator for beltscales INTECONT Satus VKG 20790 has a standard stainless steel console shaped case in protection class IP65 that is suited for table-top and wall mounting.

The indicator has an easily readable back lighting LCD display for showing measured values with clear text operator guidance. Data is keyed in via flexible membrane keyboard with 6 keys.

All INTECONT Satus parameters can be configured very easy by using the PC program EasyServe.

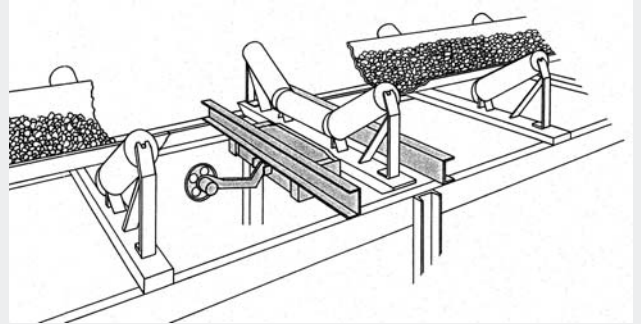
The parameters are stored using the load cell dongle technology and therefore are available even after replacement of the main board.

Since Ethernet is increasingly becoming the communication standard even in industry, INTECONT Satus has a standard 10/100 Mbaud network connection. Also the well-established Modbus.

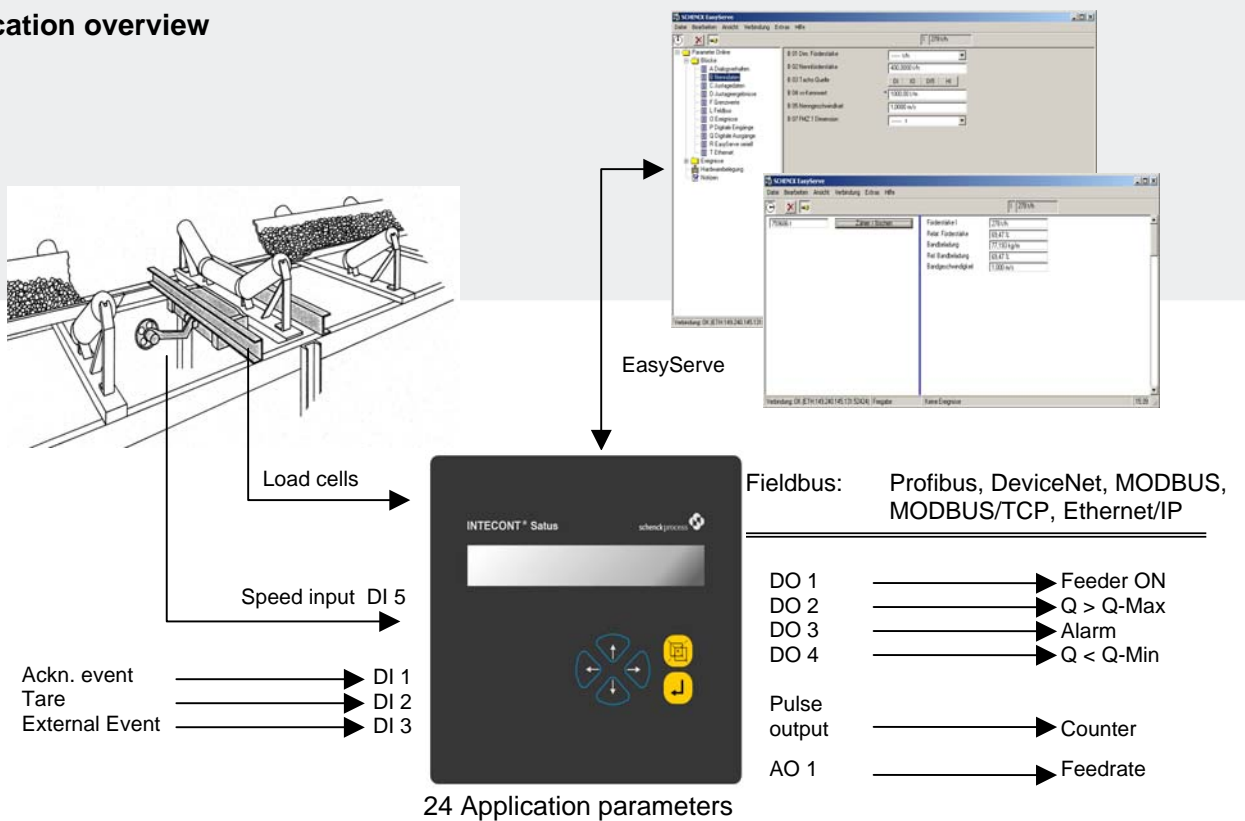
Optional fieldbus protocols for Profibus DP-V0, DeviceNet, Ethernet MODBUS/TCP and Ethernet/IP are available.

Belt weigher application

- On site assembly possible
- Simple and easy commissioning
- Automatic measuring of bulk solids flow
- Totalizing counter
- Belt load monitoring
- Zero-drop-out (no totalizing if belt load is too low, empty belt)



Application overview

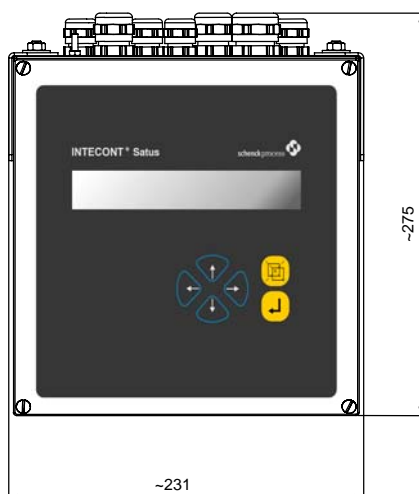


INTECONT Satus

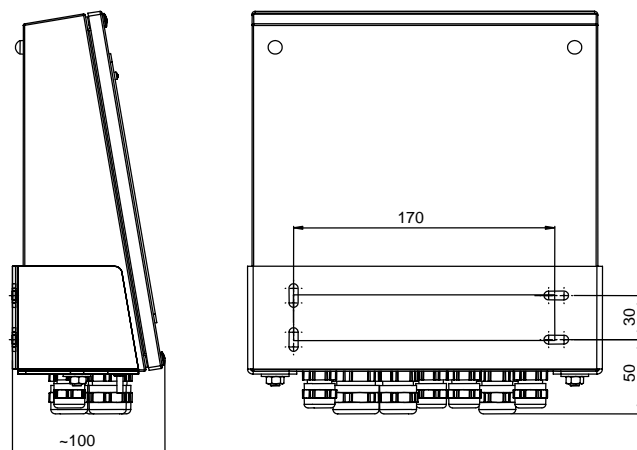
- Stainless steel housing with a high protection class
- All connections are tied up to special functions
- All components can be exchanged without reverification
- Functionality self explaining: simple and easy commissioning
- Minimized complexity: only necessary parameters have to be adapted
- 6 keys sufficient for data input and control
- Preloaded menu languages: German, English, French, Spanish, Italian
- PC-based service program EasyServe; to be connected serial or via Ethernet
- Serial connections on board: MODBUS; Ethernet with MODBUS/TCP protocol
- Optional fieldbus protocols: Profibus DP-V0; DeviceNet; Ethernet with protocol Ethernet/IP



Table-top mounting



Wall mounting



Technical data

View Keyboard	LCD back lighting. 1 cell 20 characters. Characters 12 mm high 6 keys	
Supply voltage Housing Temperature range	85 - 240 VAC, 50 - 60 Hz, max. 10 VA, Variant 24 VDC Stainless steel 1.4301, deep drawn, IP65 Service temperature: -30 °C ... +60 °C	
Measuring circuit	Supply voltage: Range: Load cell impedance: Cable length:	5 V alternating current supply -20 mV ... +20 mV; R min 47 Ω max. 1000 m
Units Taring Belt monitoring	kg, t, lb; kg/h, t/h, lb/h; to be started via digital input or keyboard zero-drop-out; Belt load > max / < min	
Binary inputs	3 x Optocoupler, 18 - 36 VDC, typ. 5 mA 1 x NAMUR, max. 5 V, 0,04 - 3000 Hz	assigned signal Ack. event Tare External event Tacho input
Binary outputs	4 x relay, 230 VAC, max. 60 W	Running Belt load Q > Max Alarm Belt load Q < Min
Pulse output	Optocoupler, 18 - 36 VDC, max. 50 mA / 10 Hz	Totalizing counter pulses
Analog output	0(4)-20 mA, 12 Bit, max. imp. 500 Ω	Feedrate
Serial connections	Interface 1: RS 232 Interface 2: RS 232 Interface 3: RS 485, 2/4-wire Ethernet	EasyServe - not used - MODBUS Fieldbus MODBUS/TCP Fieldbus
Optional	PROFIBUS DPV0, DeviceNet, Ethernet/IP	

Equipment supplied

Systems	Type	Material number
INTECONT® Satus, Stainless steel housing IP65	VKG 20790	V040007.B11
INTECONT® Satus with Profibus Fieldbus card	VKG 20792	V060127.B11
INTECONT® Satus with DeviceNet Fieldbus card	VKG 20793	V060128.B11
INTECONT® Satus with Ethernet/IP Interface	VKG 20795	V060129.B11
INTECONT® Satus, Stainless steel housing IP65, 24 VDC	VKG 20796	V084590.B11
INTECONT® Satus with Profibus Fieldbus card, 24 VDC	VKG 20797	V084720.B01
INTECONT® Satus with DeviceNet Fieldbus card, 24 VDC	VKG 20798	V084721.B01
INTECONT® Satus with Ethernet/IP Interface, 24 VDC	VKG 20799	V084722.B01
Options		
Profibus Fieldbus card	VPB 8020	V054033.B01
DeviceNet Fieldbus card	VCB 8020	V081906.B01
Ethernet/IP activating	VET 20700	V040035.B01
Spare parts		
Load cell plug (dongle)	VDO 20700	V040013.B01
EasyServe		
Software (CD)	VPC 20150	E144541.01
Cable for EasyServe, 9p/3p		V052410.B01